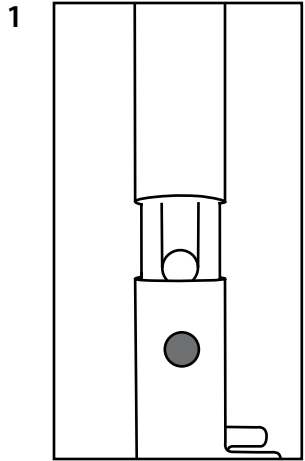
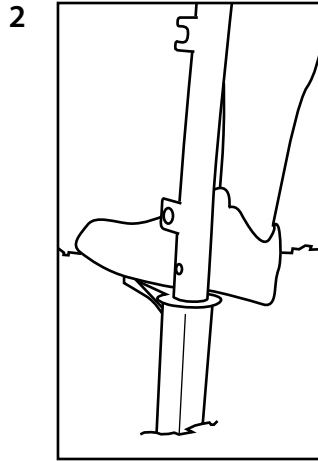


Spiral Stand

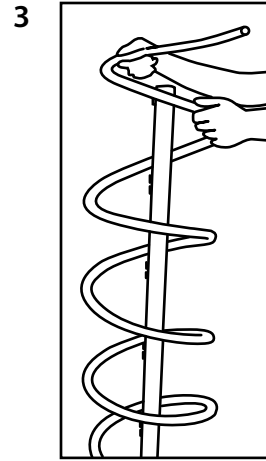
Assembly Instructions



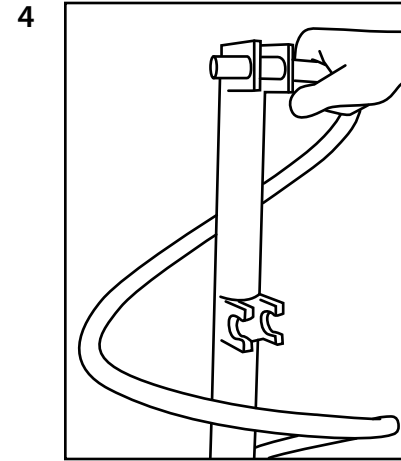
1 Assemble the stand:
- anchor
- 2 center pieces
- top



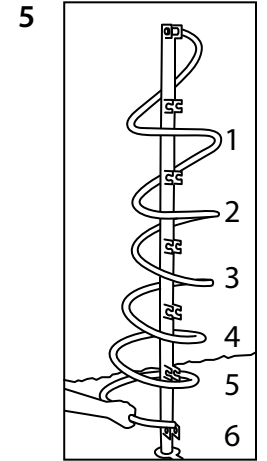
2 Secure the stand in the ground.



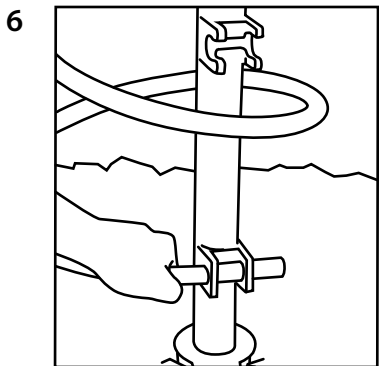
3 Center and drop spiral over stand.



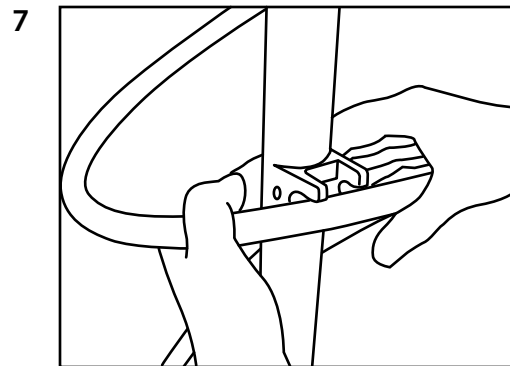
4 Insert spiral end through both top rings.



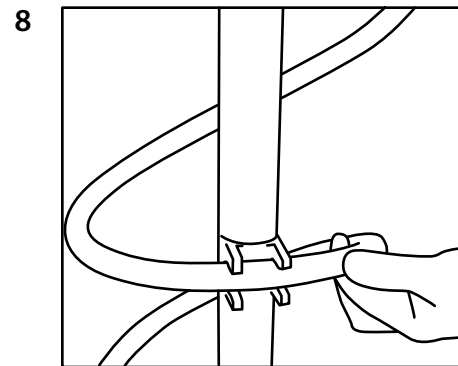
5 Rotate spiral to form 6 loops.



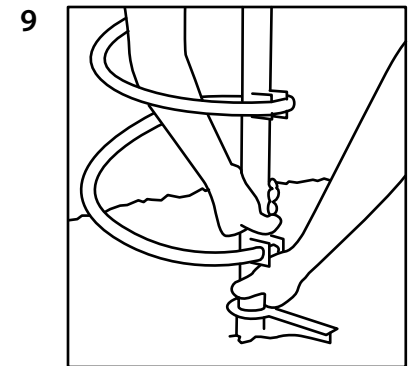
6 Insert spiral end through both bottom rings.



7 Snap each loop into its clip.



8 Adjust loops to desired radius.



9 To remove stand, lift here.